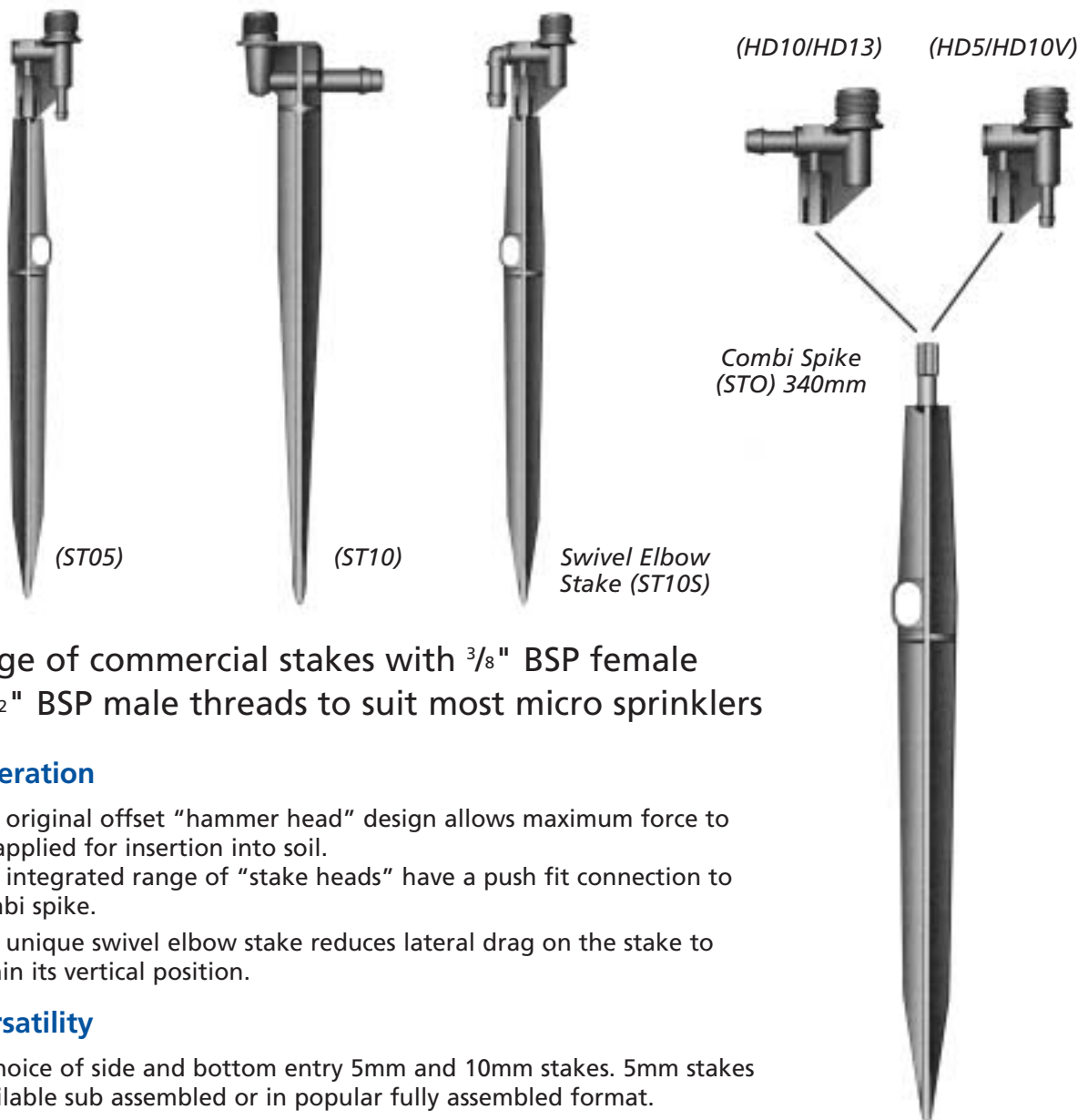


Philmac Agricultural Threaded Stakes.

The widest possible choice for all field conditions



A range of commercial stakes with $\frac{3}{8}$ " BSP female and $\frac{1}{2}$ " BSP male threads to suit most micro sprinklers

■ Operation

The original offset "hammer head" design allows maximum force to be applied for insertion into soil.

The integrated range of "stake heads" have a push fit connection to combi spike.

The unique swivel elbow stake reduces lateral drag on the stake to retain its vertical position.

■ Versatility

A choice of side and bottom entry 5mm and 10mm stakes. 5mm stakes available sub assembled or in popular fully assembled format.

■ Application

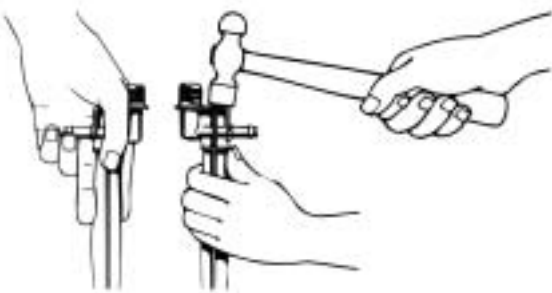
For use with micro sprinklers in orchards, plantations, nuts, vines and field crops.

Philmac[®]

The connection you can trust.

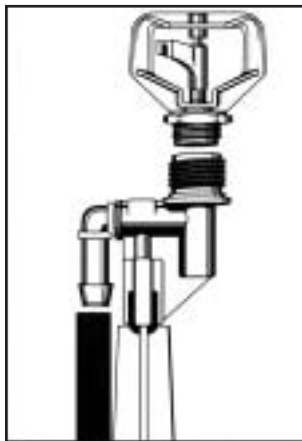
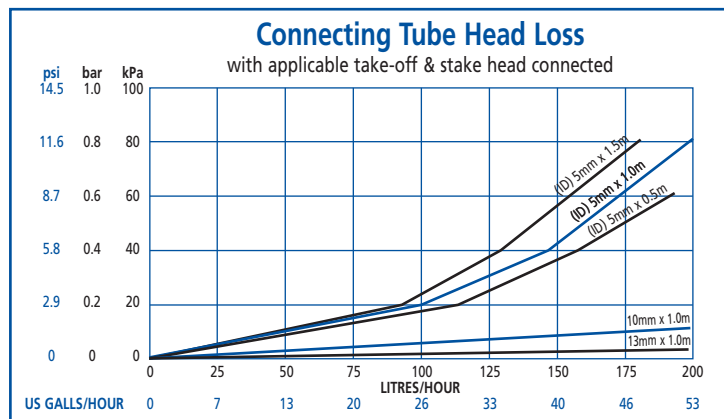
S P E C I F I C A T I O N S

Code	Standard Stakes		Combi Stake Heads				
	ST05	ST10	HD5	HD10	HD10V	HD13	HD10S
Inlet Barb to suit Pipe	5mm	10mm	5mm	10mm	10mm	13mm	10mm
Inlet Entry	Bottom	Side	Bottom	Side	Bottom	Side	Swivel
Take-off Connector	TO0505 -	TO0610 TOE0610	TO0505 -	TO0610 TOE0610	TO0610 TOE0610	TO5612* TO1212*	TO0610 TOE0610
Tube Clip	-	CT13	-	CT13	CT13	CT15	CT13
Combi Spike for Stake Heads	-	-	STO	STO	STO	STO	-
Total Length Fitted	370mm	320mm	370mm				
Outlet Thread – Female	3/8" BSP (10mm)						
Outlet Thread – Male	1/2" BSP (13mm)						



Installation:

Insert securely by either hammer or hand



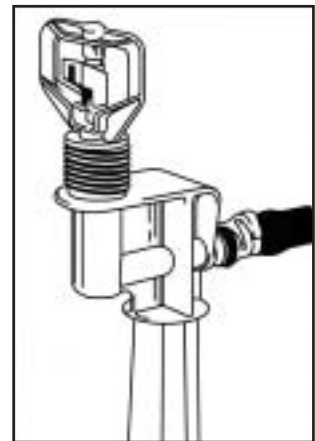
Swivel Elbow Stake 10mm
Code ST10S. Use with 10mm poly tube connection to the lateral. Swivel action elbow ensures vertical stake position, especially with above ground laterals.



Threaded Stake Head and Combi Spike
5mm barbed bottom entry. Code HD5. Use with 5mm flexible riser tube connection to the lateral



Combi Stake
5mm barbed bottom entry. Code ST05, Use with 5mm flexible riser tube connection to the lateral.



Standard Stakes
Barbed side entry. Code ST10. Use with 10mm poly tube connection to the lateral.

* See specification sheet WSS-017

RECOMMENDED USE:

Products described above are designed and manufactured for micro irrigation use and therefore have a maximum recommended operating pressure of 300 kPa. The products must be used with suitable filtration (where applicable) to avoid blockage or damage to working components.

Please note that the information, opinions, recommendations and advice given on this specification sheet are supplied only to provide an improved understanding of the technical aspects of Philmac products. So far as the law allows, Philmac Pty. Ltd. will not accept liability in respect of any loss or damage of any kind claimed to arise as a result of reliance upon any information contained on this specification sheet. Please refer to our Terms and Conditions of Supply of Goods.

WSS/010/6-02



Philmac Pty Ltd 53-59 Deeds Road,
North Plympton. S.A. 5037. Australia
Telephone (08) 8300 9200 Facsimile (08) 8300 9390
Web: <http://www.philmac.com.au>